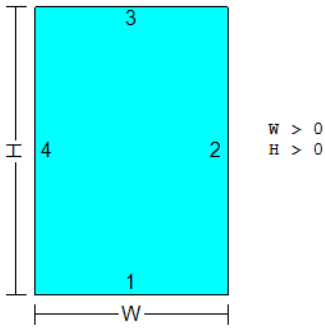
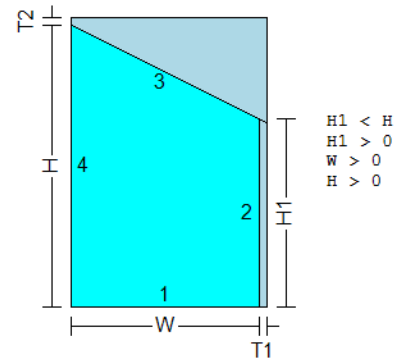


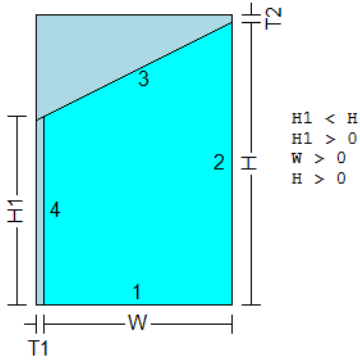
RECTANGLE



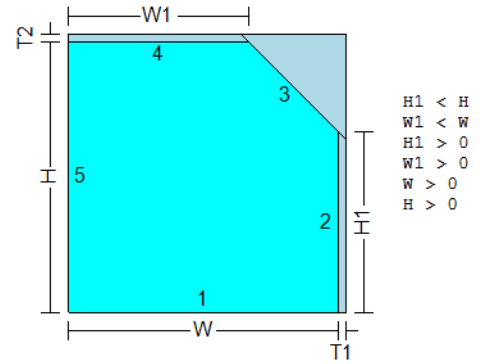
SHAPE 1



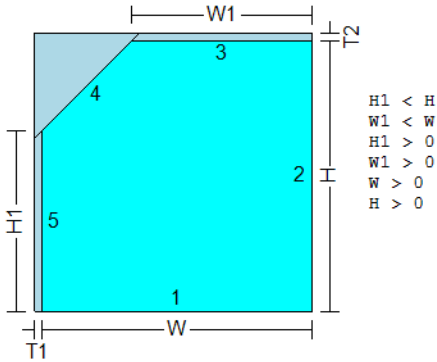
SHAPE 2



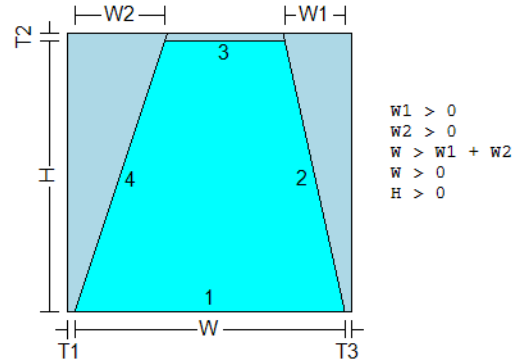
SHAPE 3



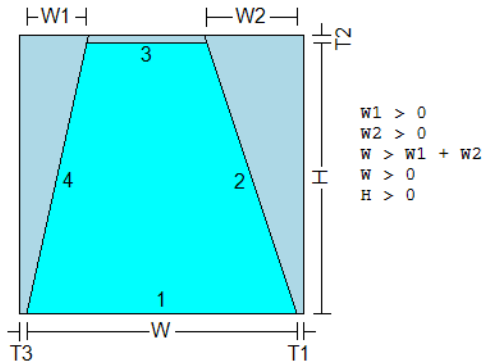
SHAPE 4



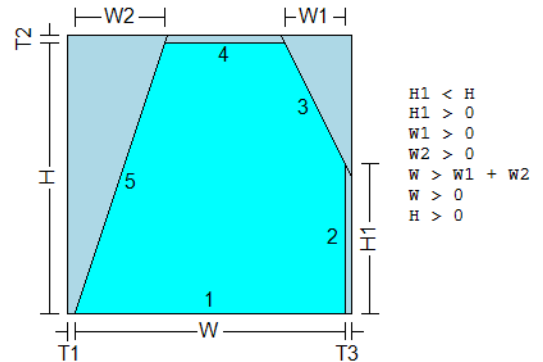
SHAPE 5



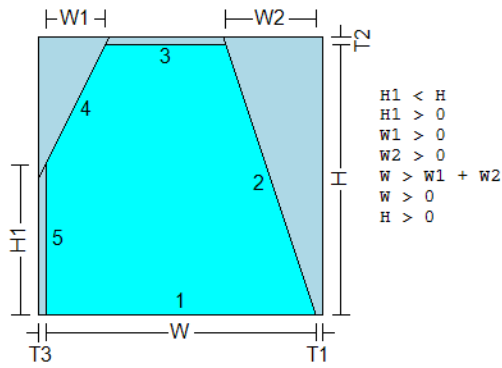
SHAPE 6



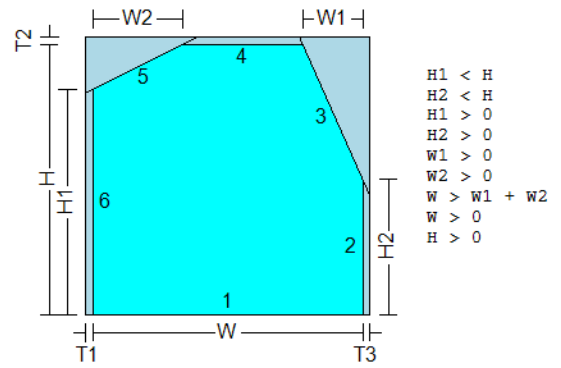
SHAPE 7



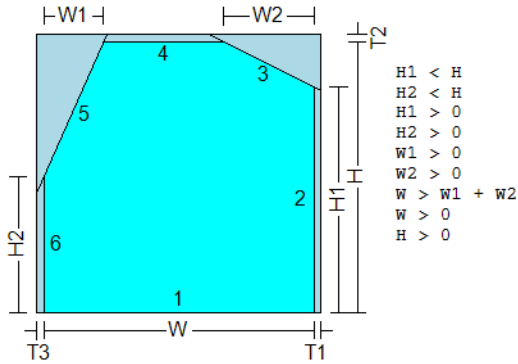
SHAPE 8



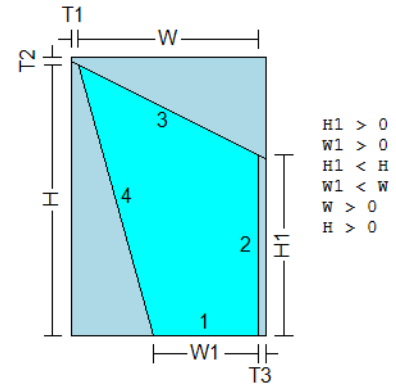
SHAPE 9



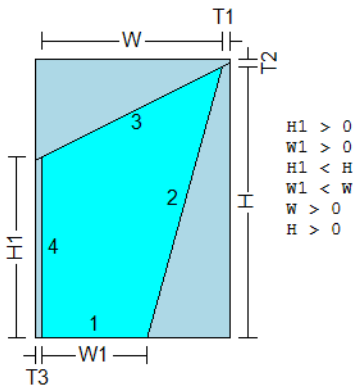
SHAPE 10



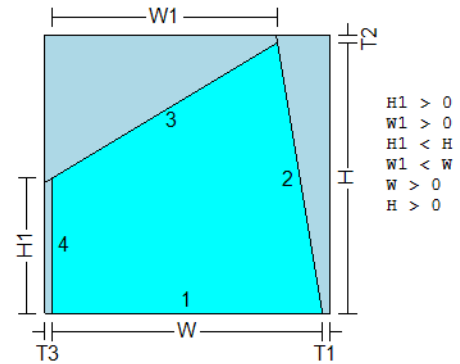
SHAPE 11



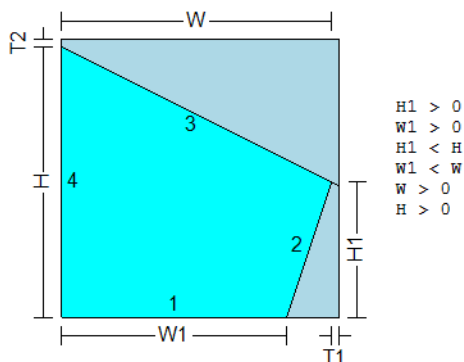
SHAPE 12



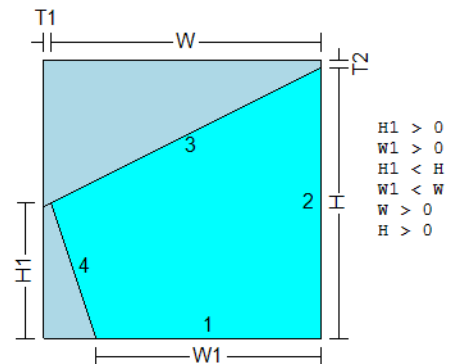
SHAPE 13



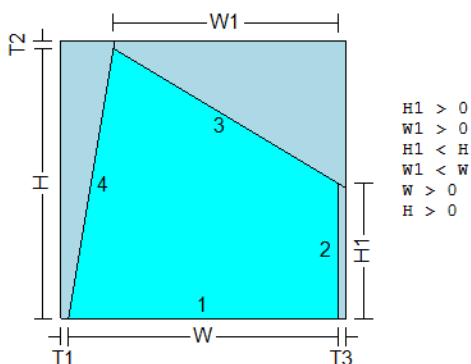
SHAPE 14



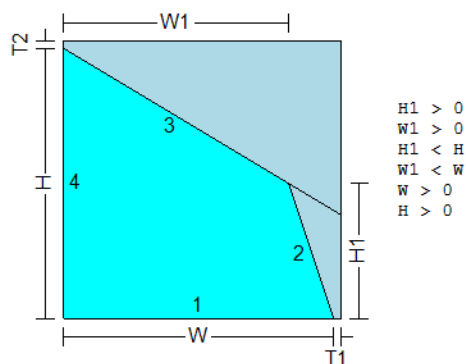
SHAPE 15



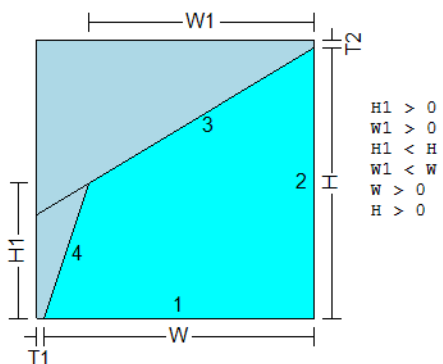
SHAPE 16



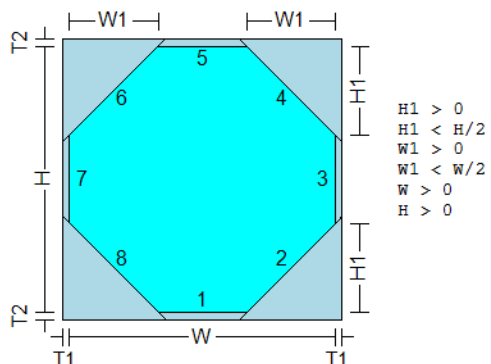
SHAPE 17



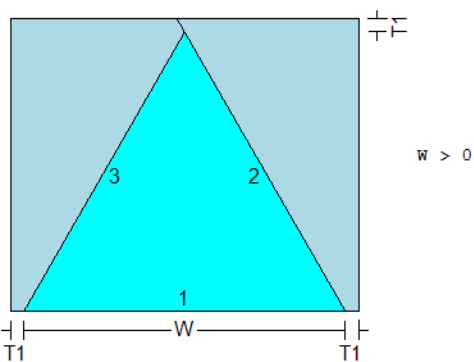
SHAPE 18



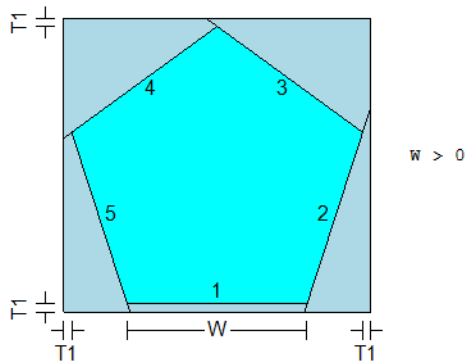
SHAPE 19



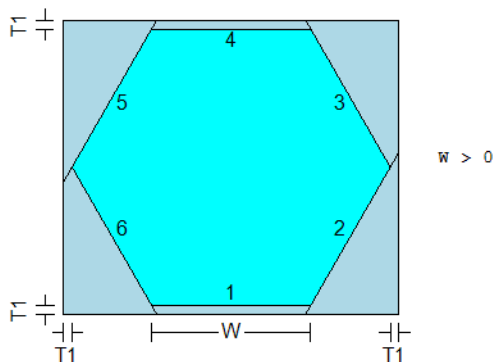
SHAPE 20



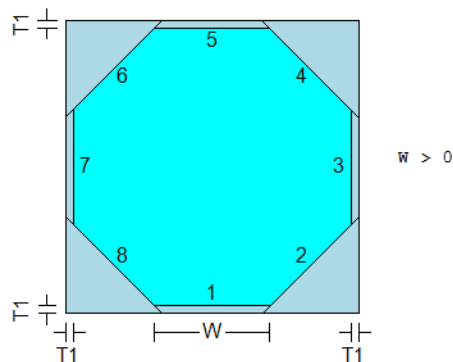
SHAPE 21



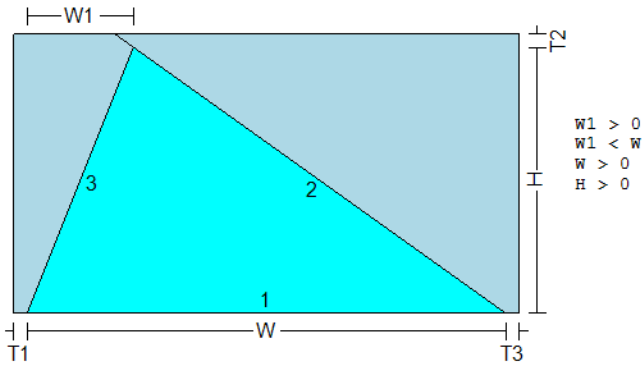
SHAPE 22



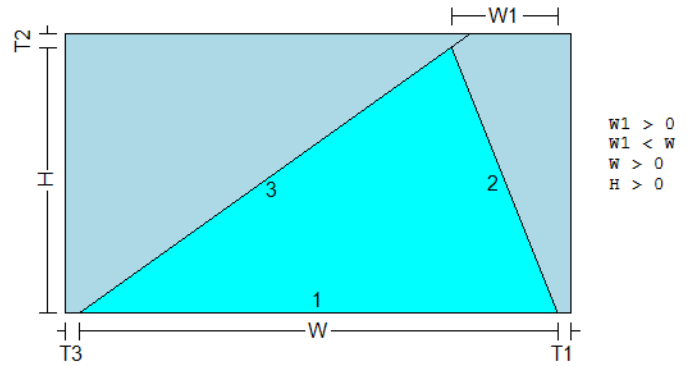
SHAPE 24



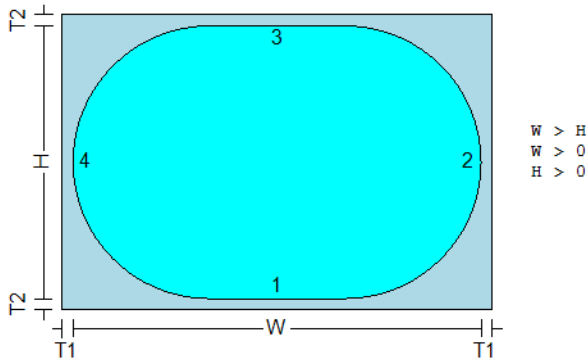
SHAPE 25



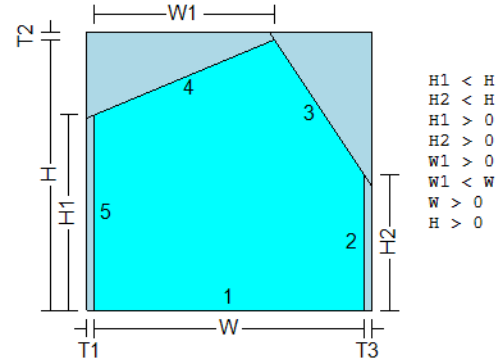
SHAPE 26



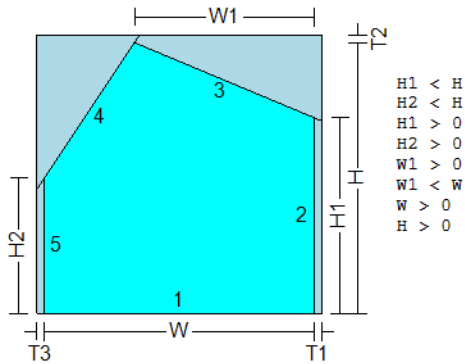
SHAPE 29



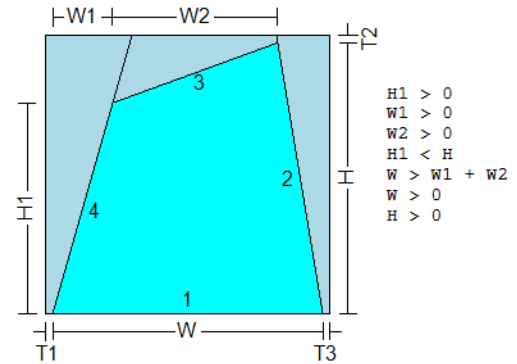
SHAPE 37



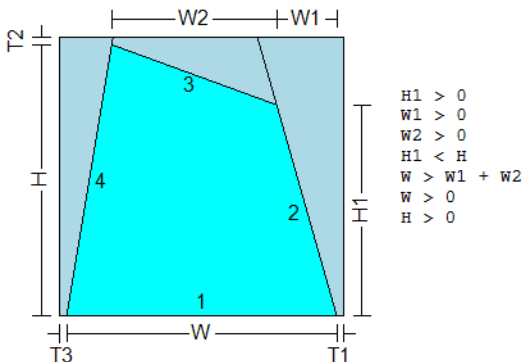
SHAPE 38



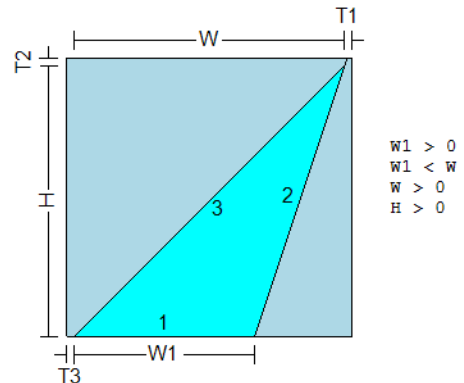
SHAPE 39



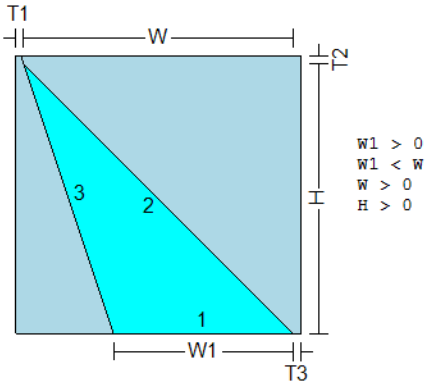
SHAPE 40



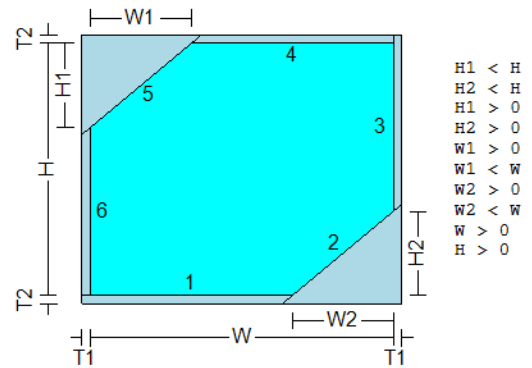
SHAPE 41



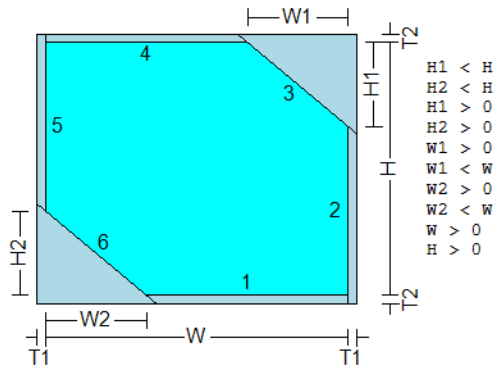
SHAPE 42



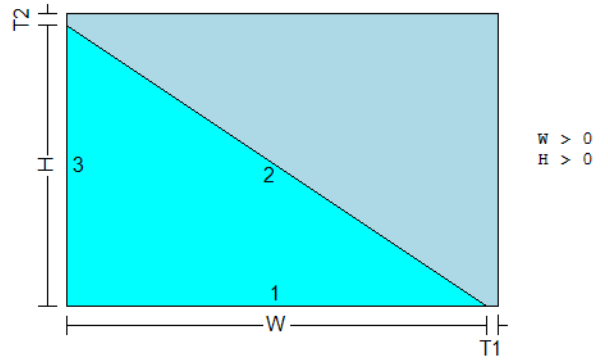
SHAPE 43



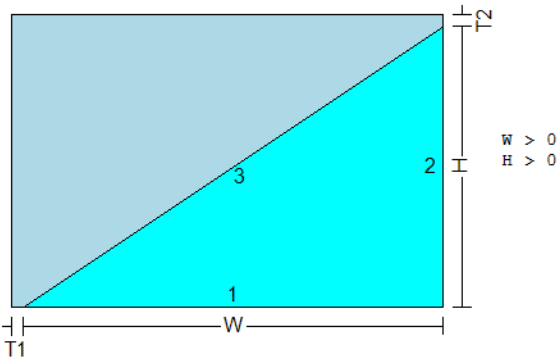
SHAPE 44



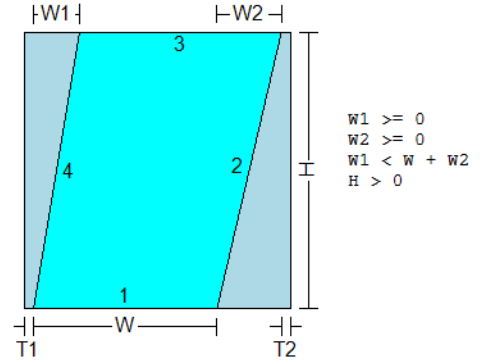
SHAPE 45



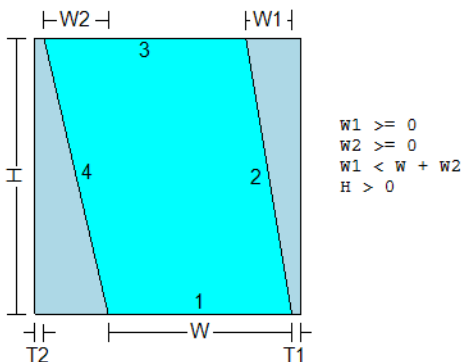
SHAPE 46



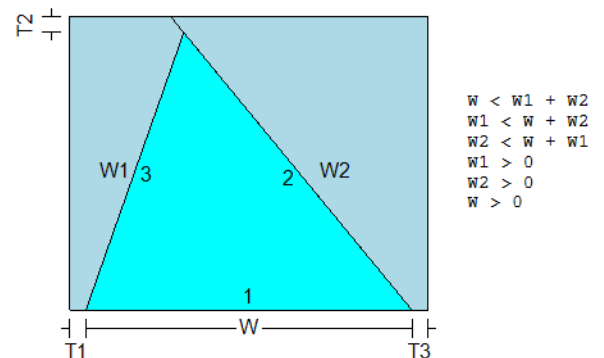
SHAPE 47



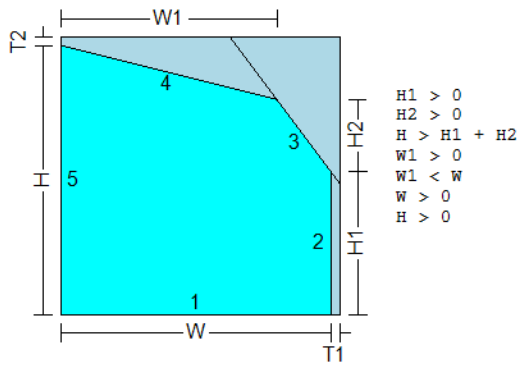
SHAPE 48



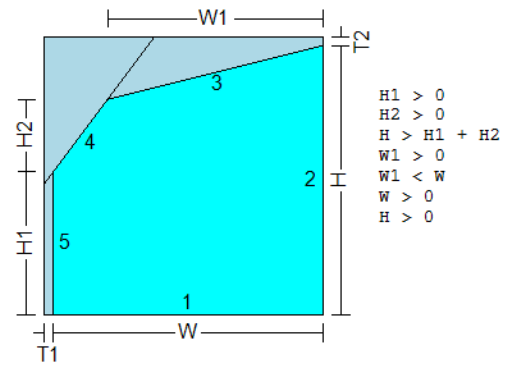
SHAPE 51



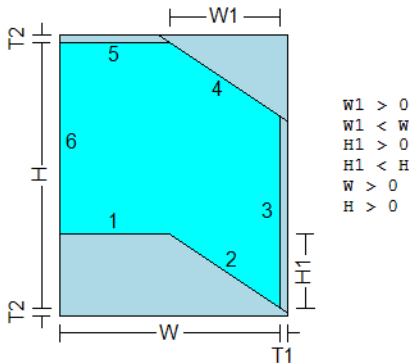
SHAPE 53



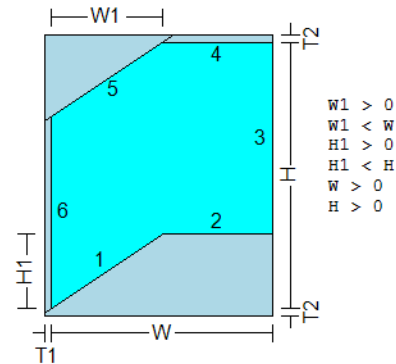
SHAPE 54



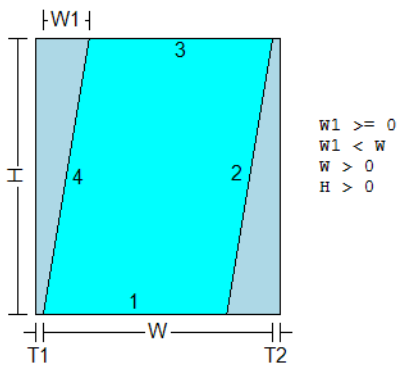
SHAPE 55



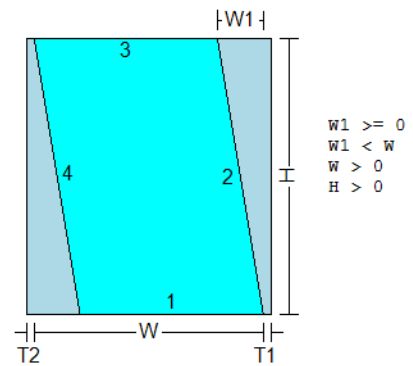
SHAPE 56



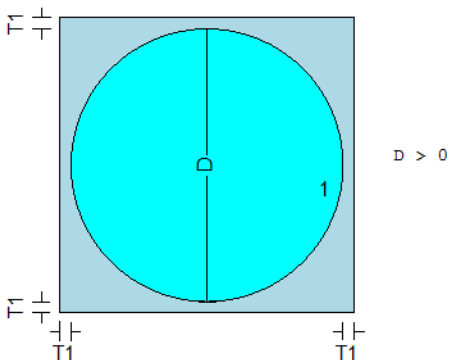
SHAPE 57



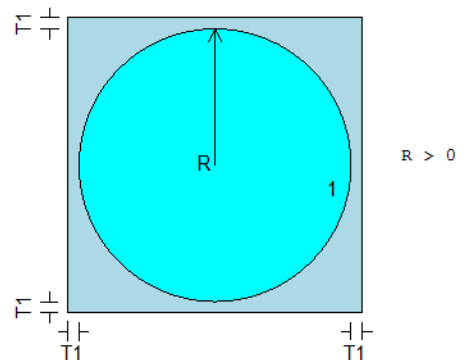
SHAPE 58



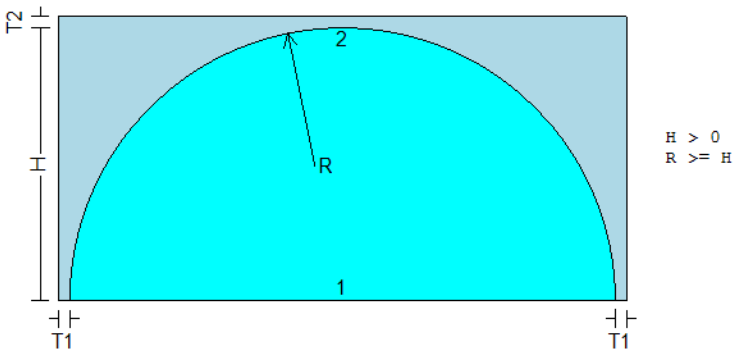
SHAPE 60



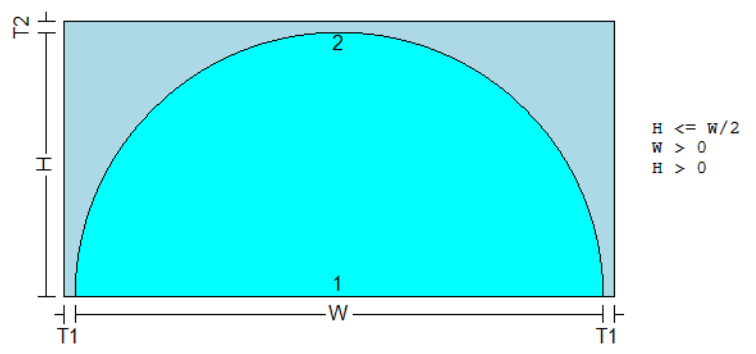
SHAPE 61



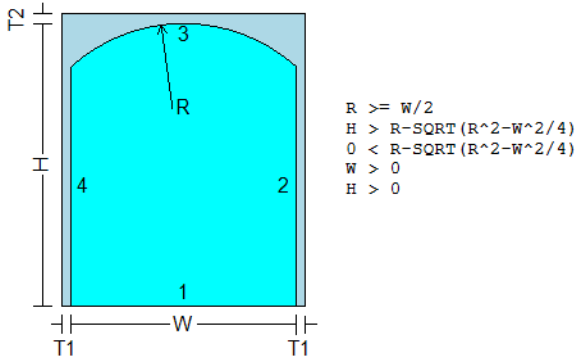
SHAPE 62



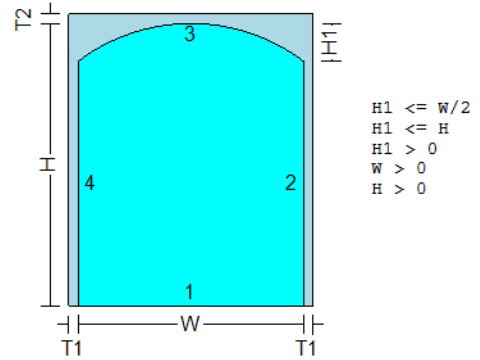
SHAPE 63



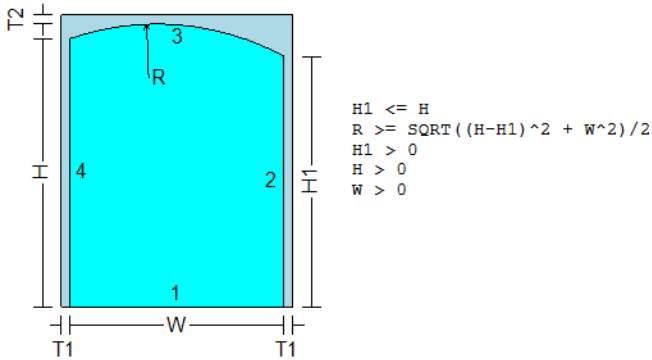
SHAPE 64



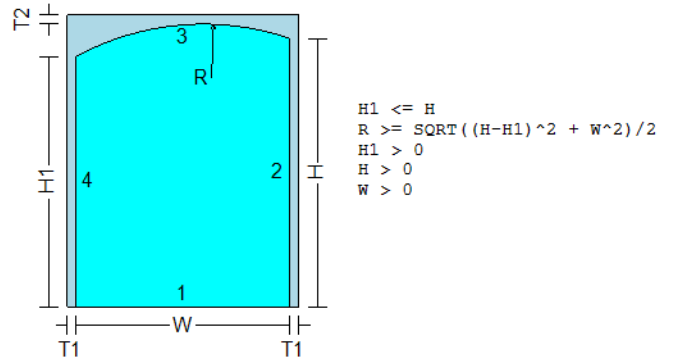
SHAPE 65



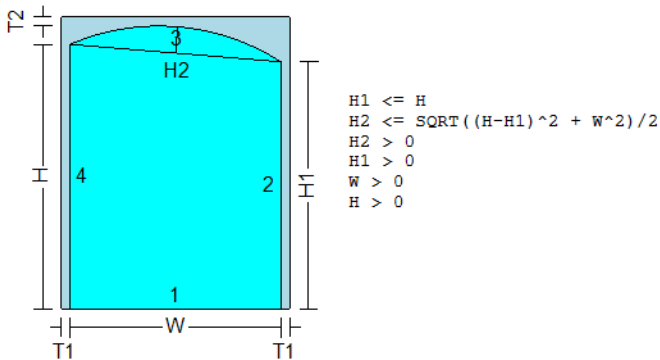
SHAPE 66



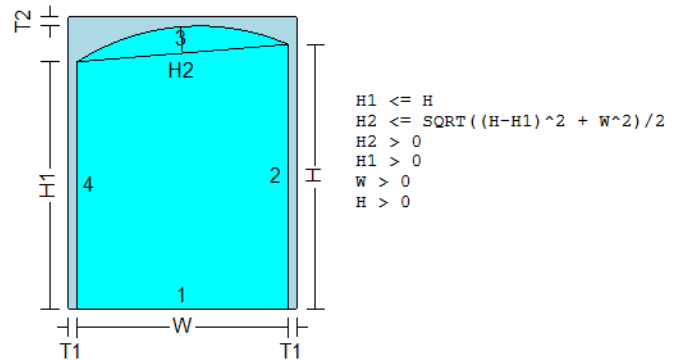
SHAPE 67



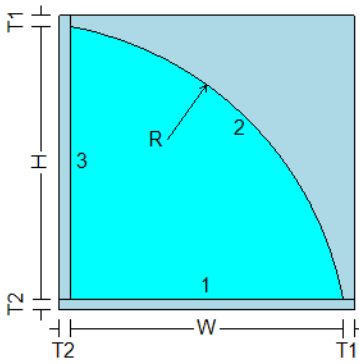
SHAPE 68



SHAPE 69



SHAPE 70

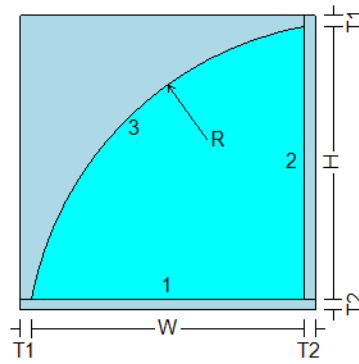


$$R \geq \sqrt{W^2 + H^2} / 2$$

$$W > 0$$

$$H > 0$$

SHAPE 71

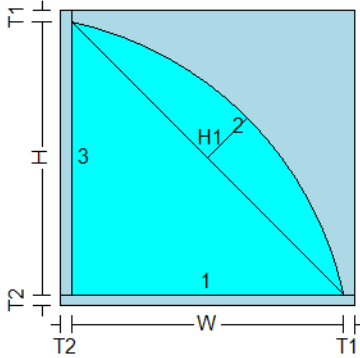


$$R \geq \sqrt{W^2 + H^2} / 2$$

$$W > 0$$

$$H > 0$$

SHAPE 72



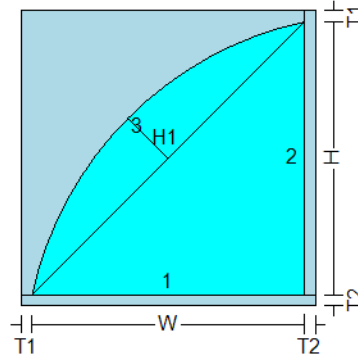
$$H1 \leq \sqrt{W^2 + H^2}$$

$$H1 > 0$$

$$W > 0$$

$$H > 0$$

SHAPE 73



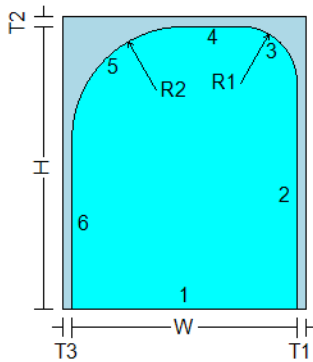
$$H1 \leq \sqrt{W^2 + H^2}$$

$$H1 > 0$$

$$W > 0$$

$$H > 0$$

SHAPE 74



$$W \geq R1 + R2$$

$$R1 > 0$$

$$R1 \leq H$$

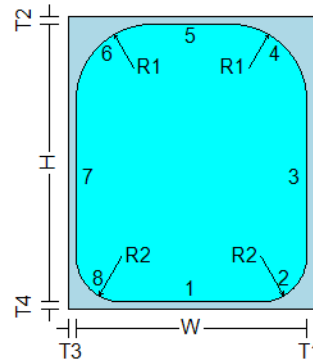
$$R2 > 0$$

$$R2 \leq H$$

$$W > 0$$

$$H > 0$$

SHAPE 75



$$H \geq R1 + R2$$

$$R1 > 0$$

$$R1 \leq W/2$$

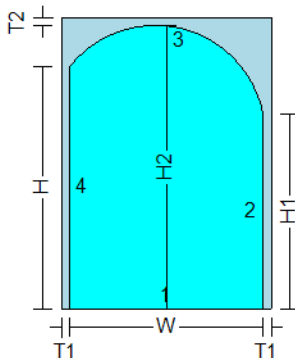
$$R2 > 0$$

$$R2 \leq W/2$$

$$W > 0$$

$$H > 0$$

SHAPE 76



$$W > 0$$

$$H > 0$$

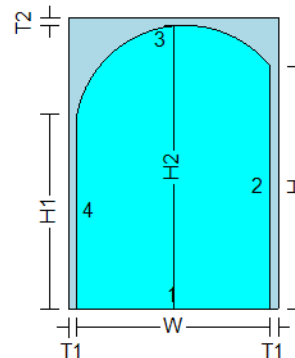
$$H1 > 0$$

$$H2 > 0$$

$$H \geq H1$$

$$H2 > (H + H1) / 2$$

SHAPE 77



$$W > 0$$

$$H > 0$$

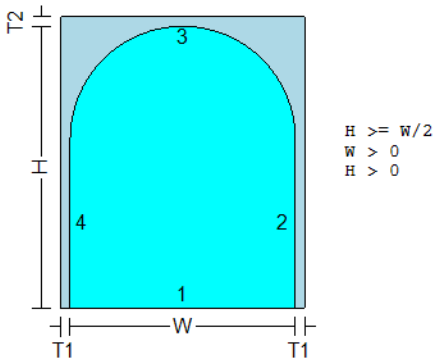
$$H1 > 0$$

$$H2 > 0$$

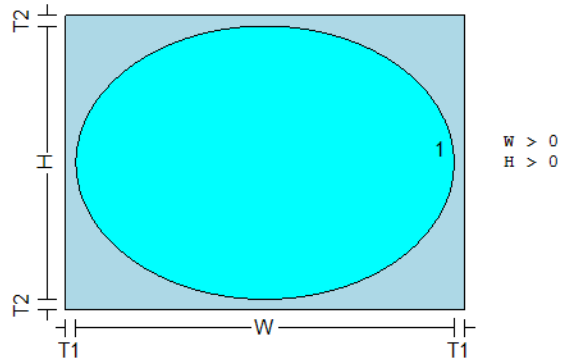
$$H \geq H1$$

$$H2 > (H + H1) / 2$$

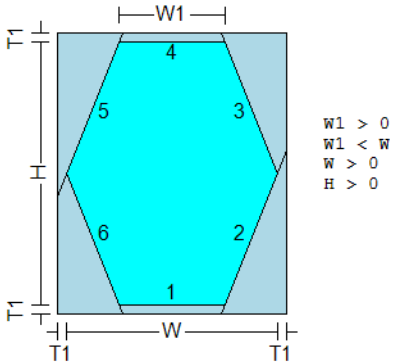
SHAPE 78



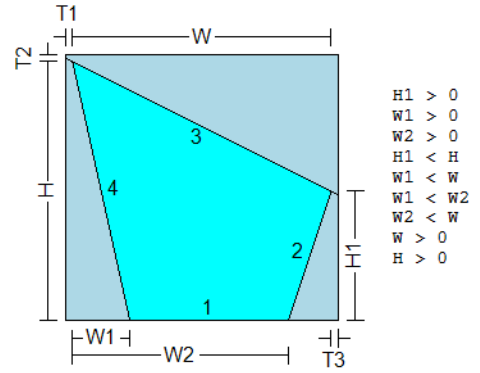
SHAPE 81



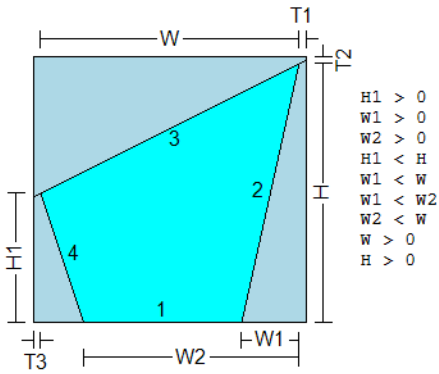
SHAPE 91



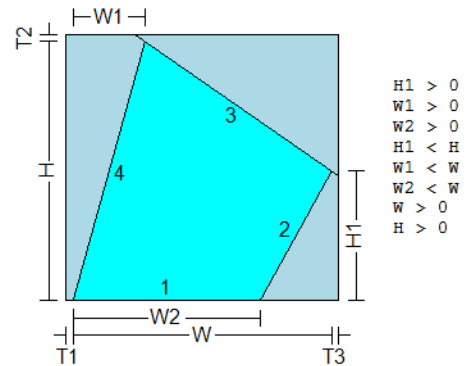
SHAPE 92



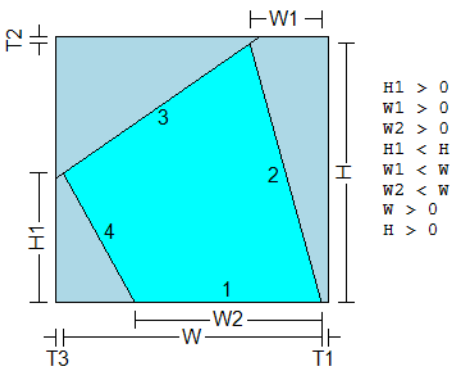
SHAPE 93



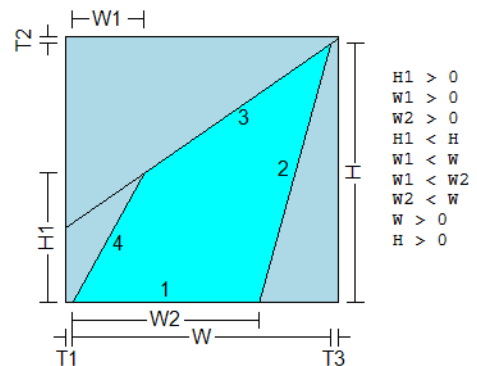
SHAPE 94



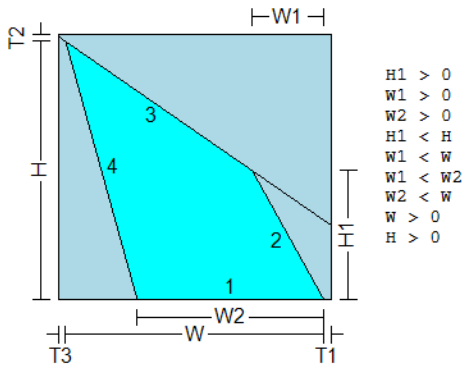
SHAPE 95



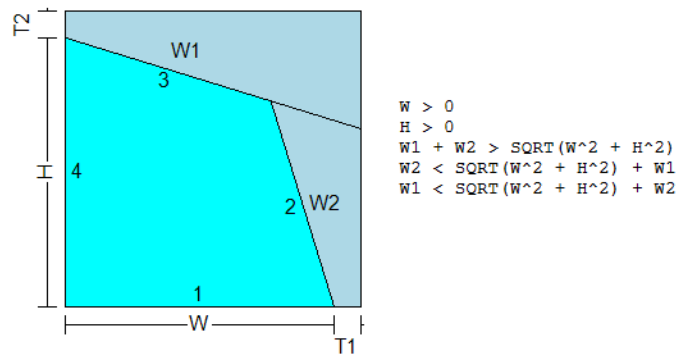
SHAPE 96



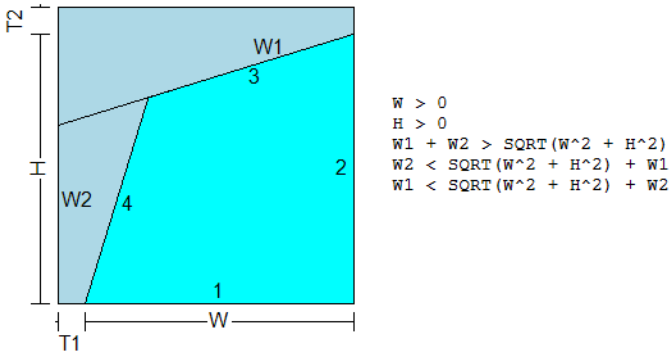
SHAPE 97



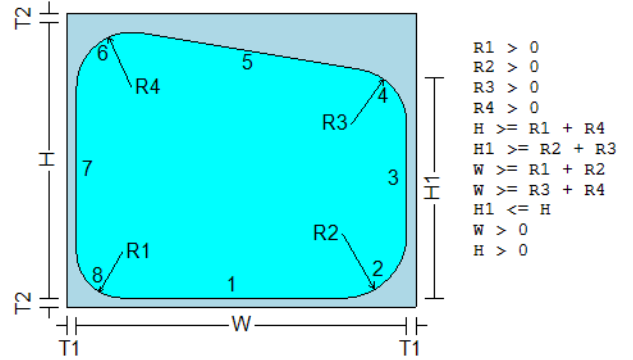
SHAPE 100



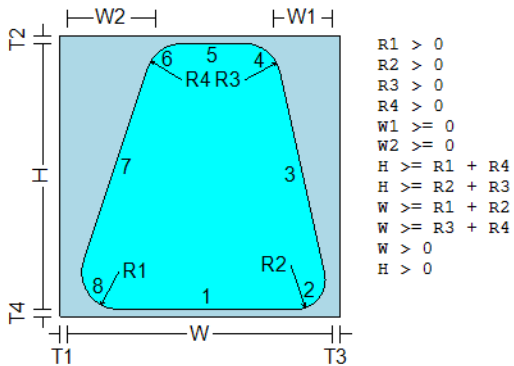
SHAPE 101



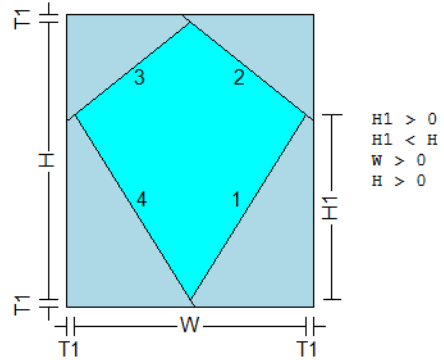
SHAPE 103



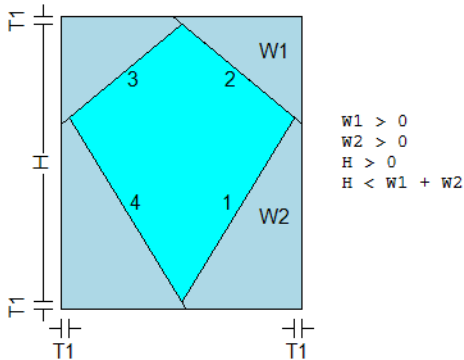
SHAPE 113



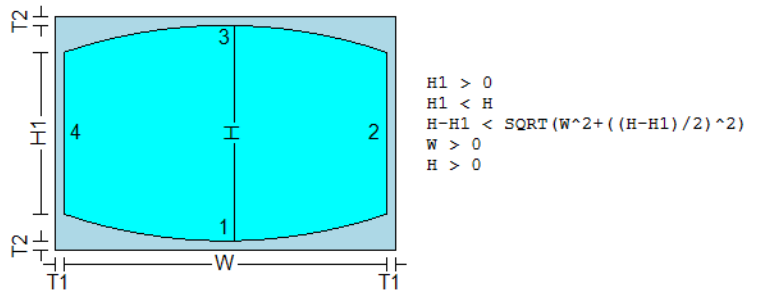
SHAPE 116



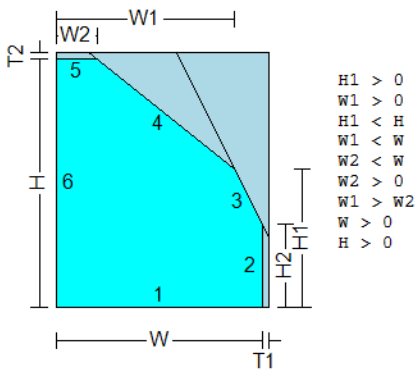
SHAPE 117



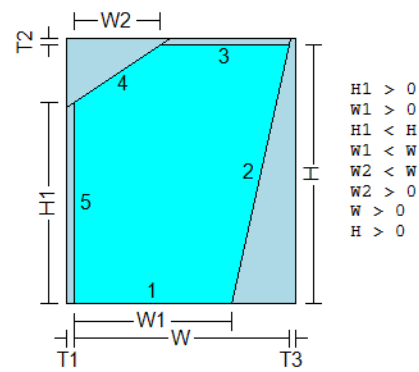
SHAPE 119



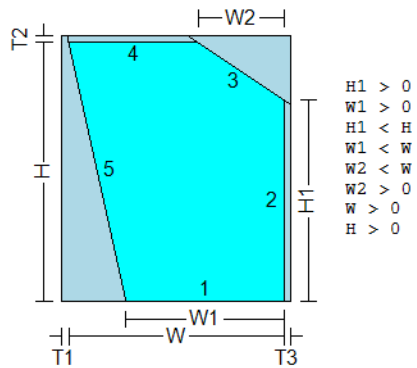
SHAPE 129



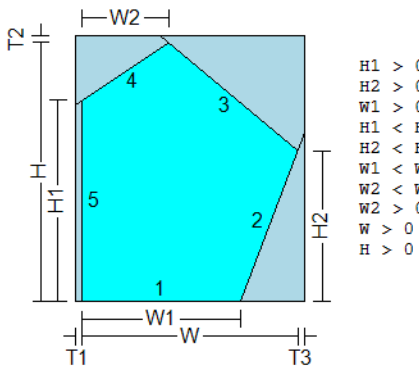
SHAPE 130



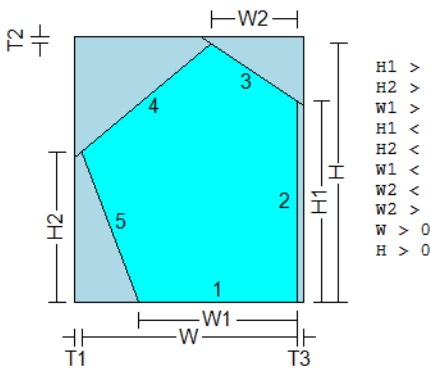
SHAPE 131



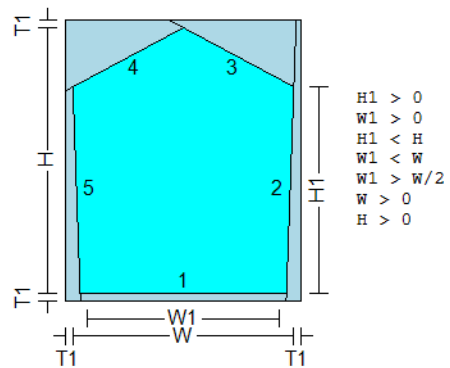
SHAPE 132



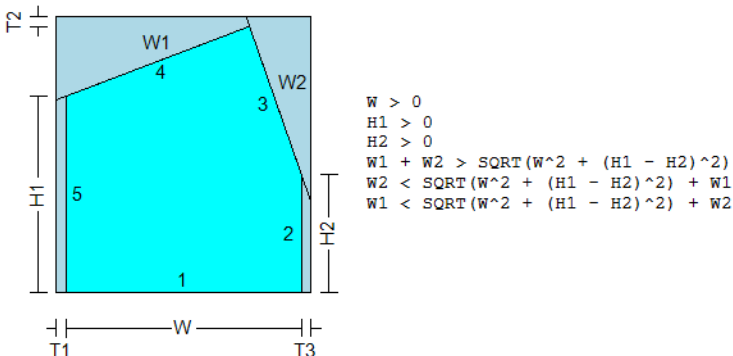
SHAPE 133



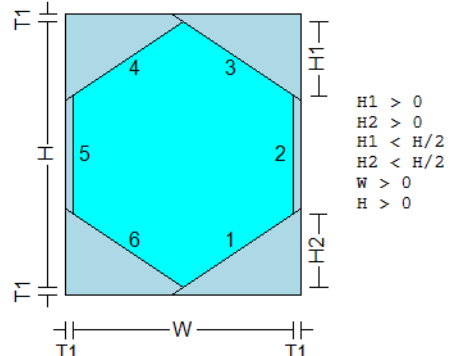
SHAPE 134



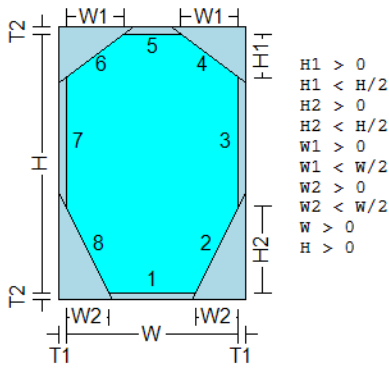
SHAPE 135



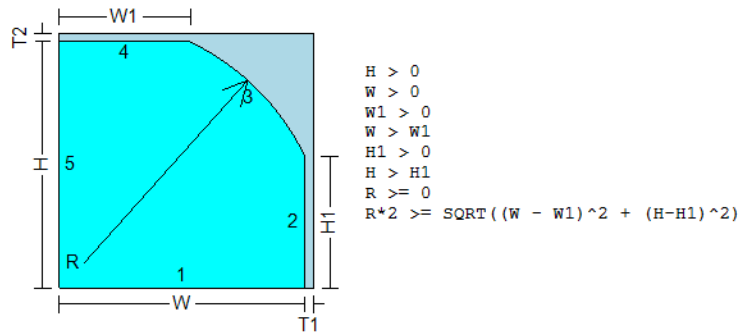
SHAPE 142



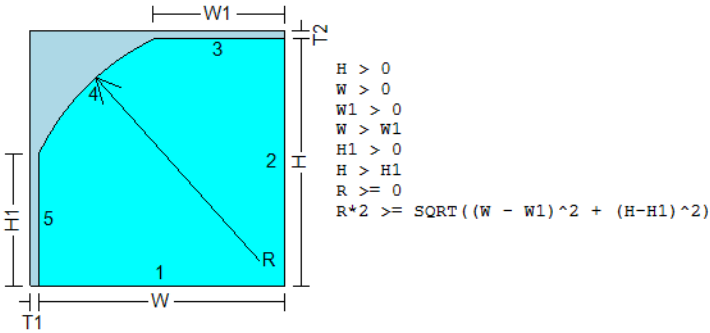
SHAPE 144



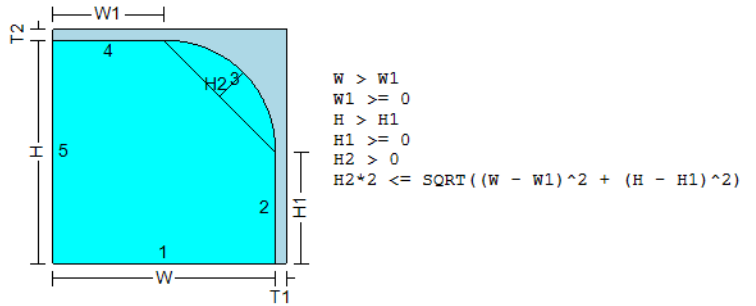
SHAPE 152



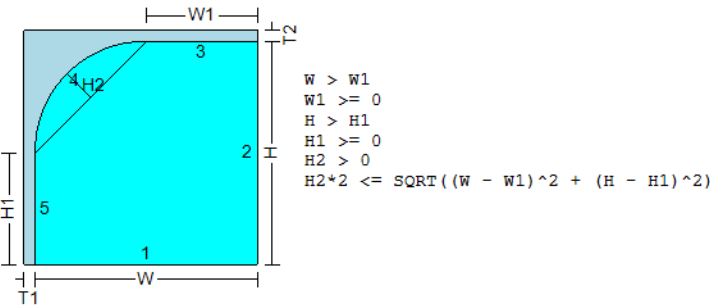
SHAPE 153



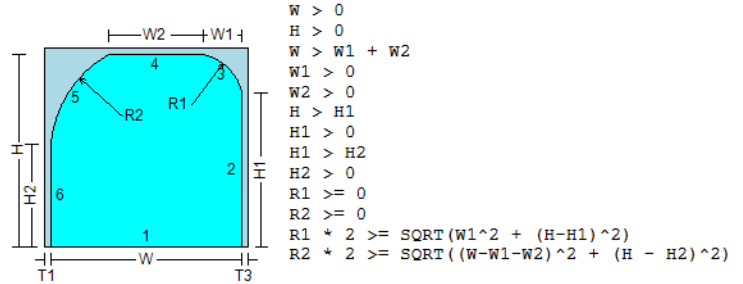
SHAPE 154



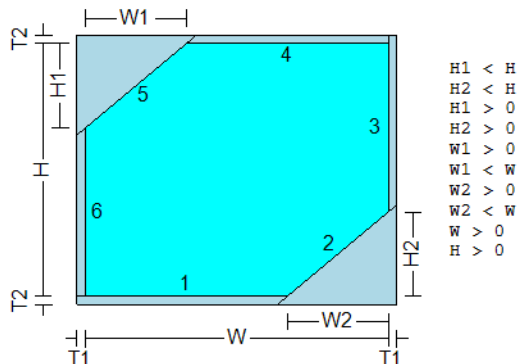
SHAPE 155



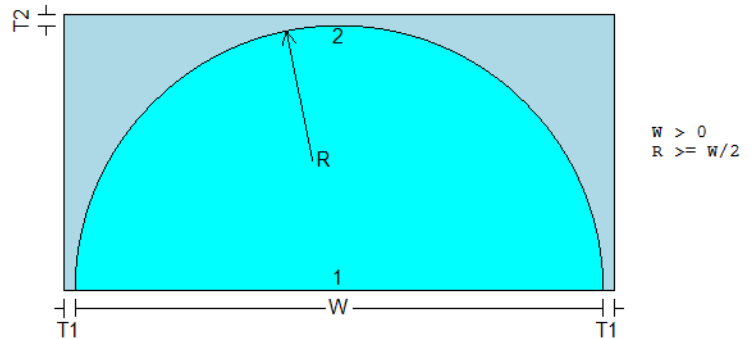
SHAPE 156



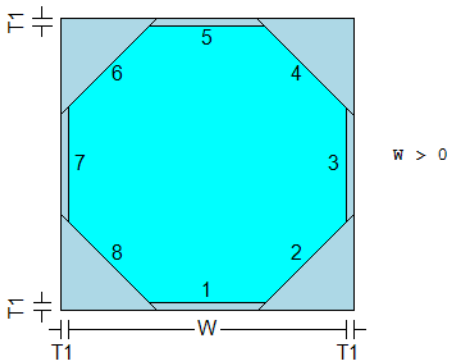
SHAPE 157



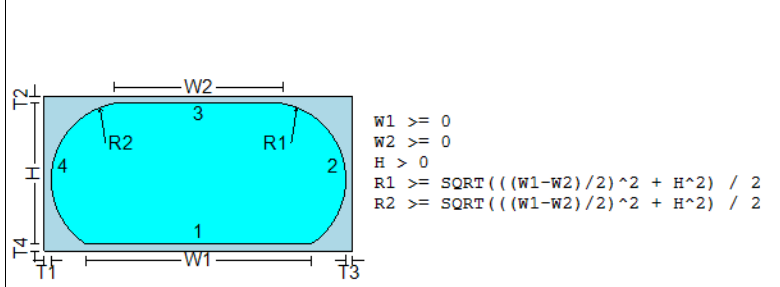
SHAPE 160



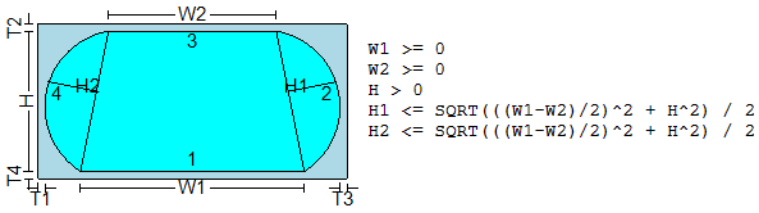
SHAPE 162



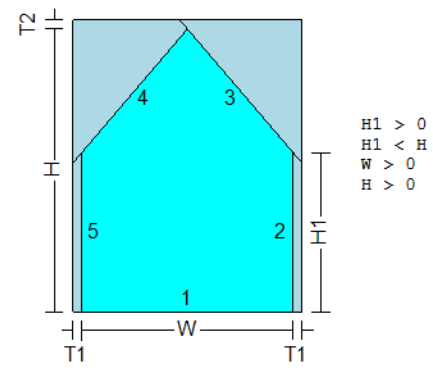
SHAPE 169



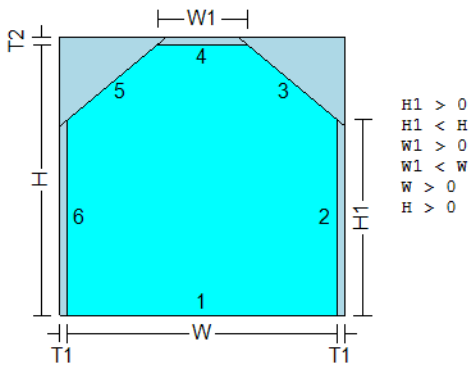
SHAPE 170



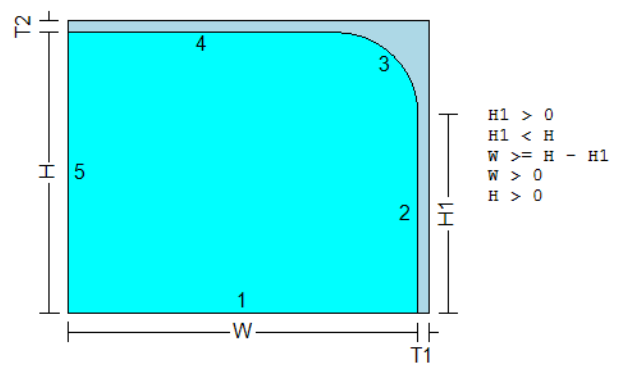
SHAPE 215



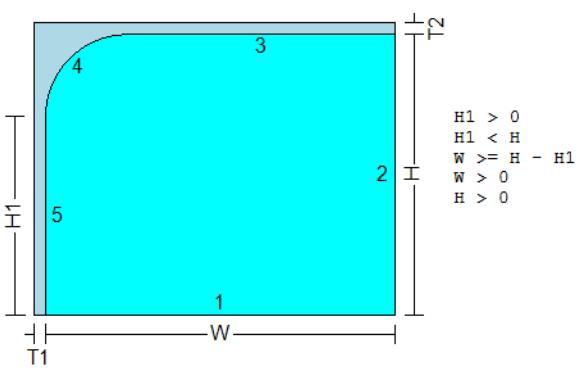
SHAPE 238



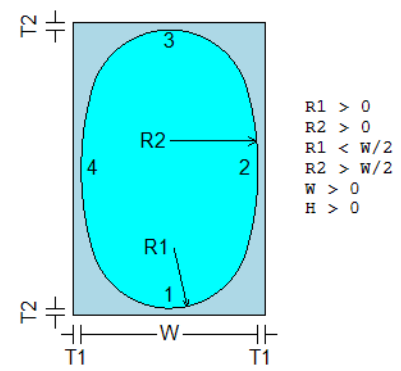
SHAPE 254



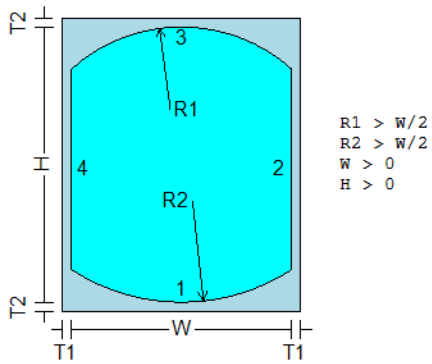
SHAPE 255



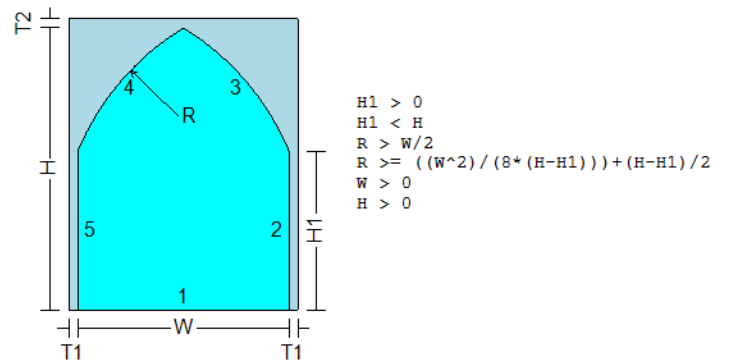
SHAPE 261



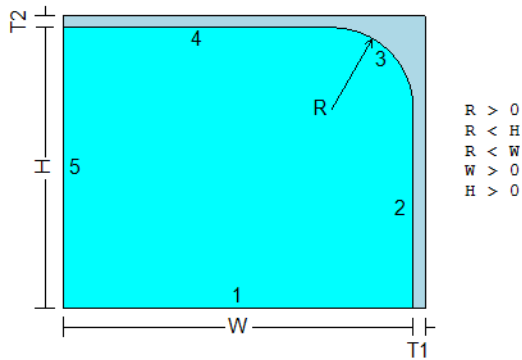
SHAPE 262



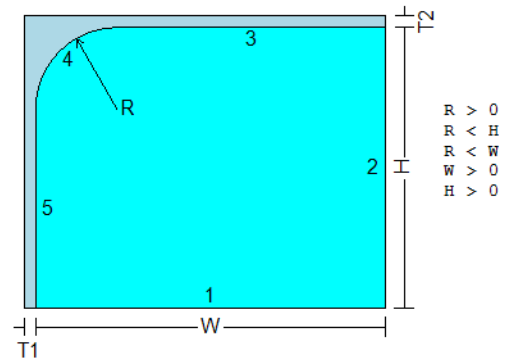
SHAPE 272



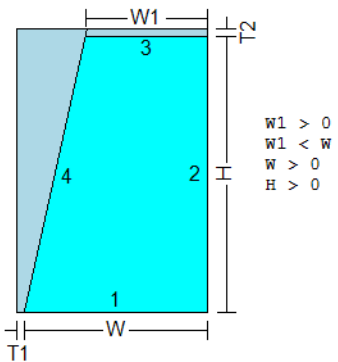
SHAPE 277



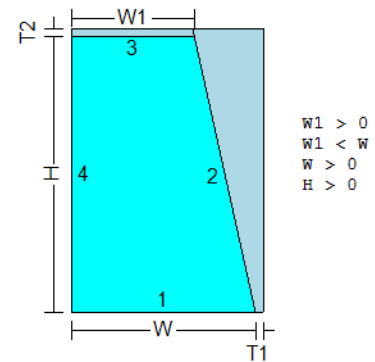
SHAPE 278



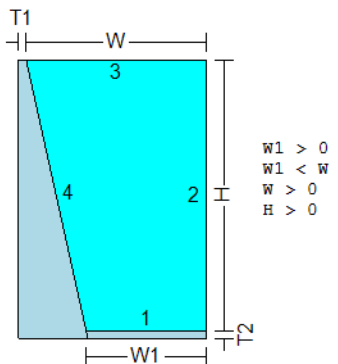
SHAPE 301



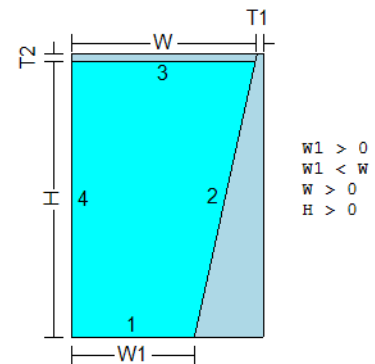
SHAPE 302



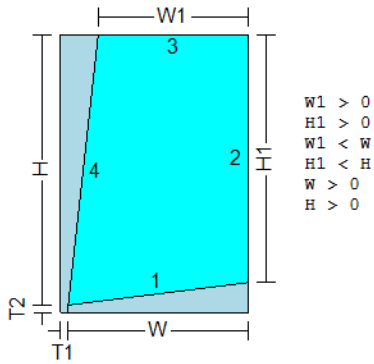
SHAPE 303



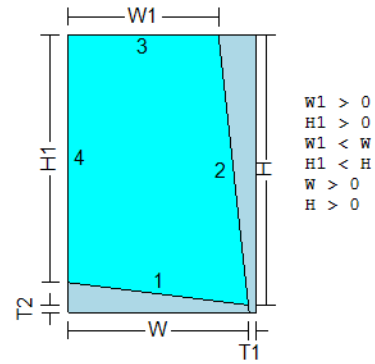
SHAPE 304



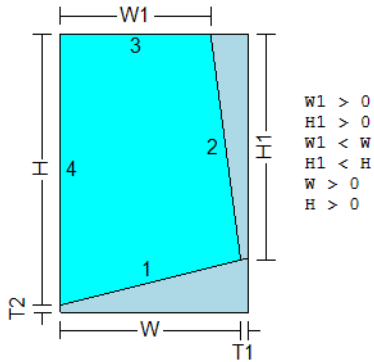
SHAPE 305



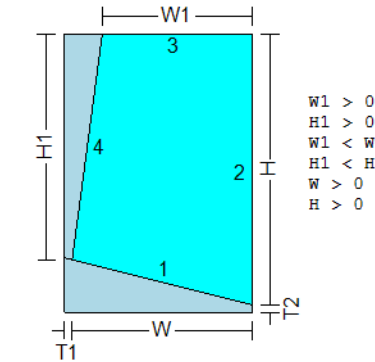
SHAPE 306



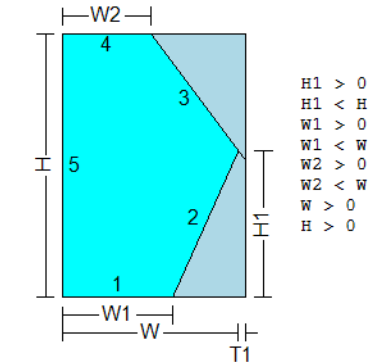
SHAPE 307



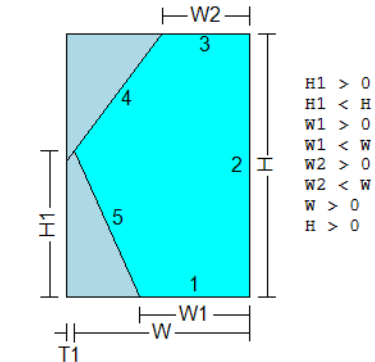
SHAPE 308



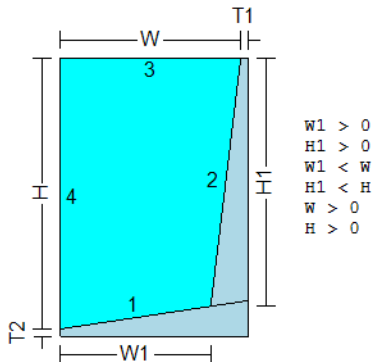
SHAPE 309



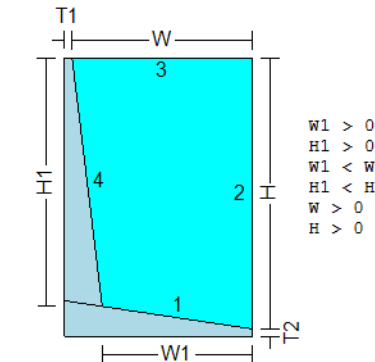
SHAPE 310



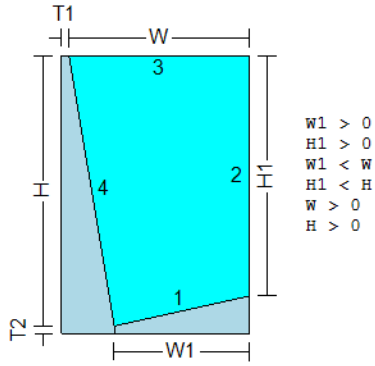
SHAPE 311



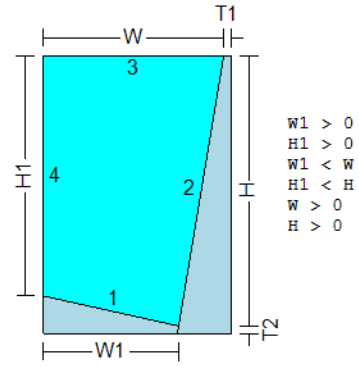
SHAPE 312



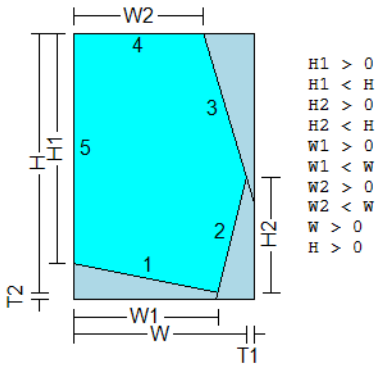
SHAPE 313



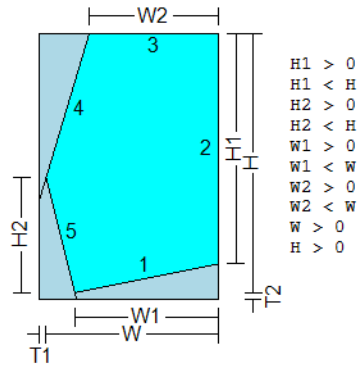
SHAPE 314



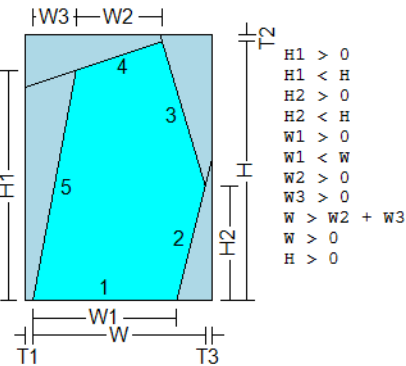
SHAPE 315



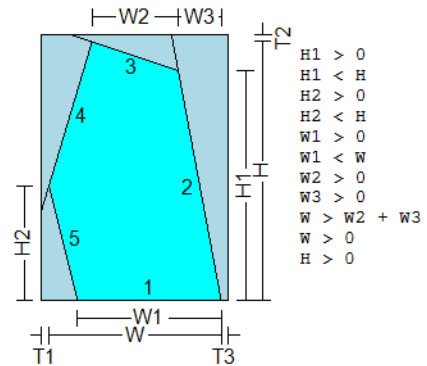
SHAPE 316



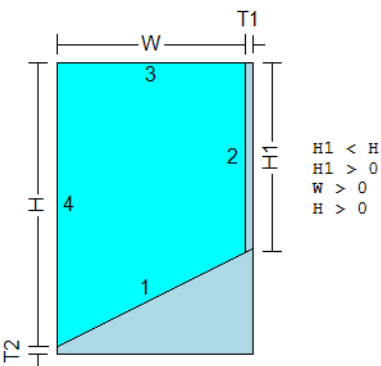
SHAPE 317



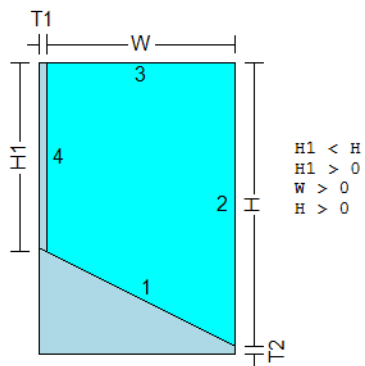
SHAPE 318



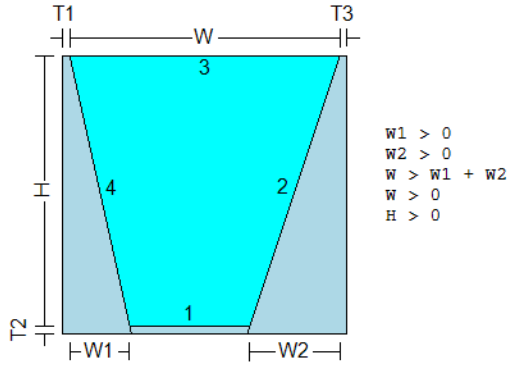
SHAPE 319



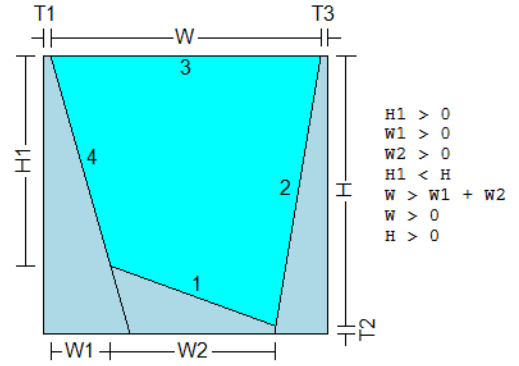
SHAPE 320



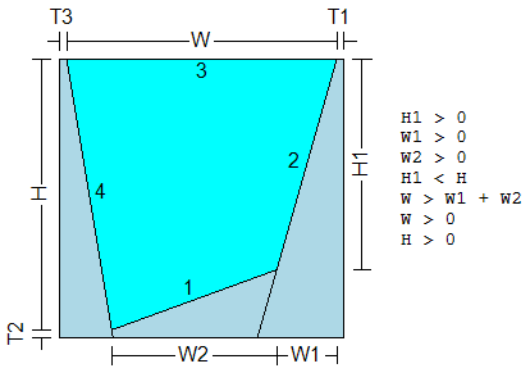
SHAPE 321



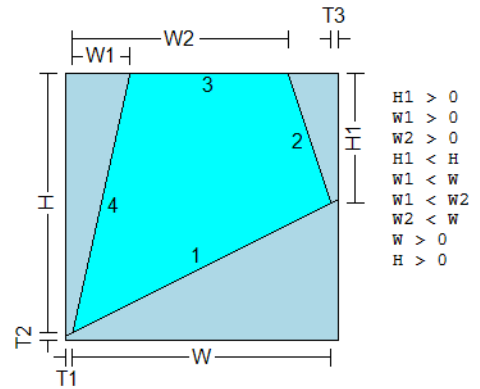
SHAPE 322



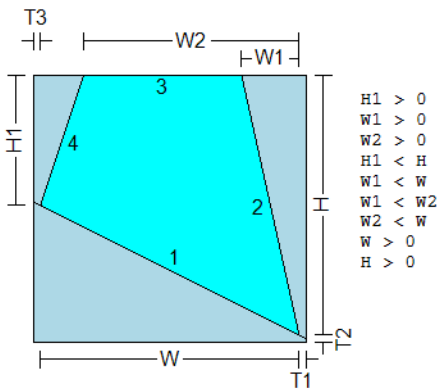
SHAPE 323



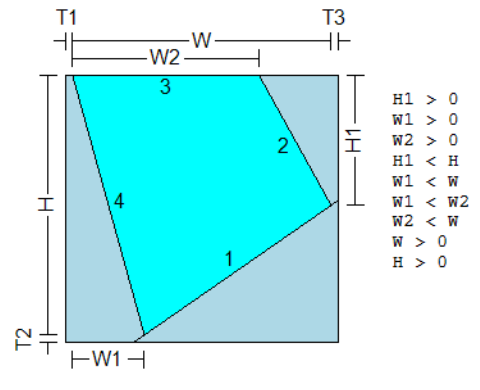
SHAPE 324



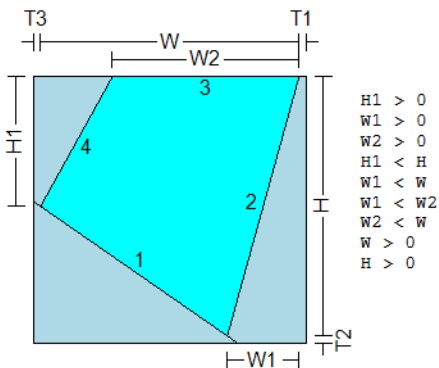
SHAPE 325



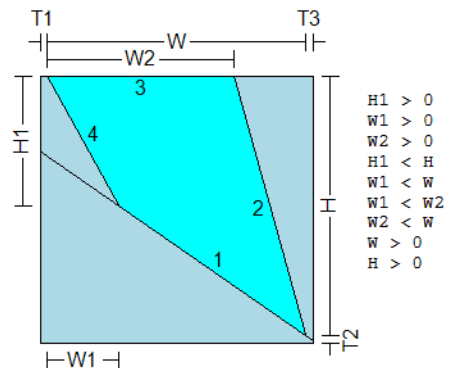
SHAPE 326



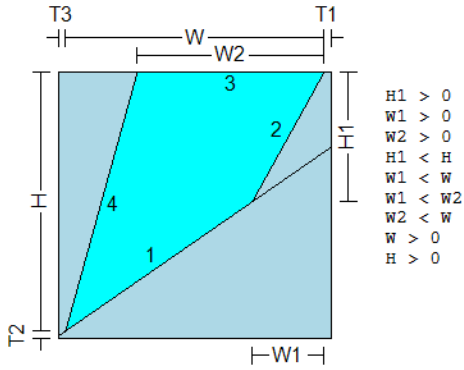
SHAPE 327



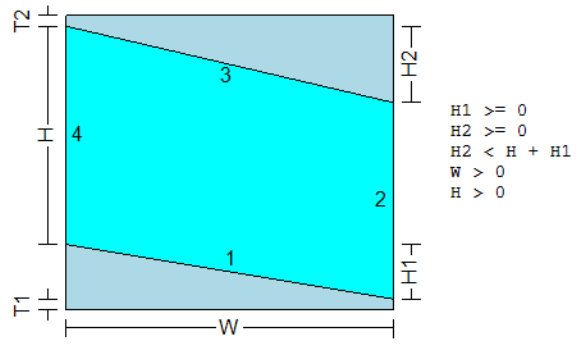
SHAPE 328



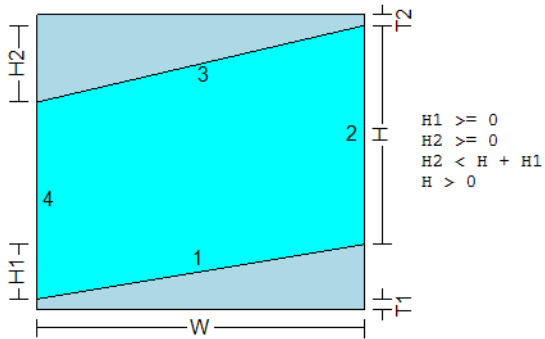
SHAPE 329



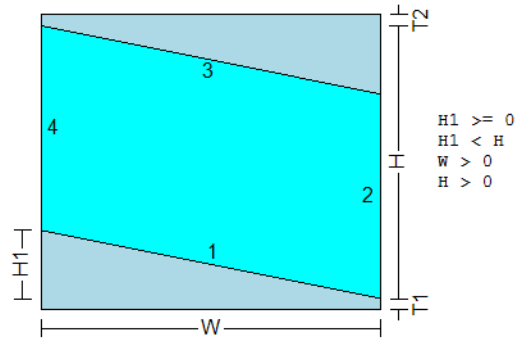
SHAPE 330



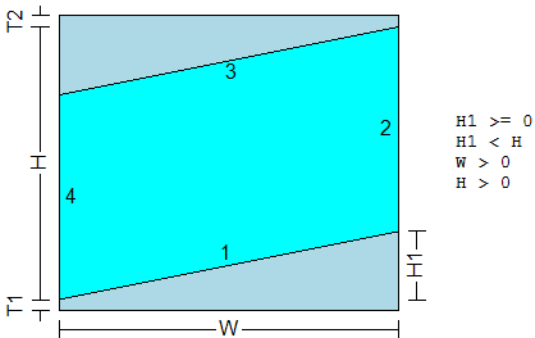
SHAPE 331



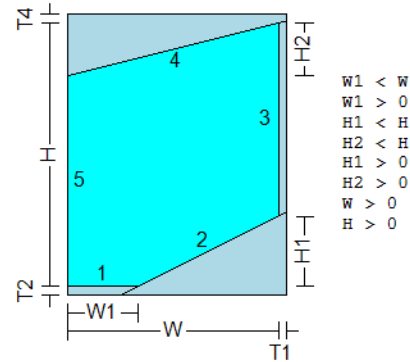
SHAPE 332



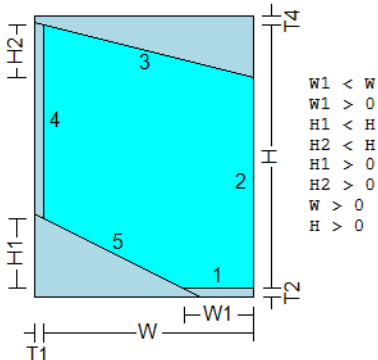
SHAPE 333



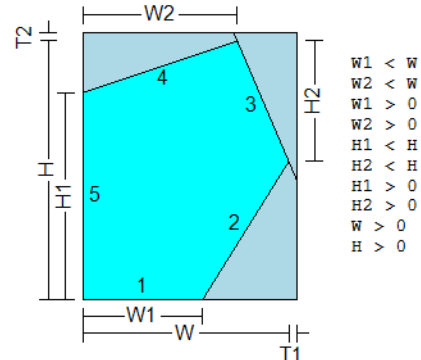
SHAPE 334



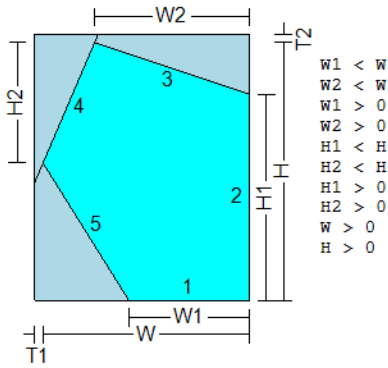
SHAPE 335



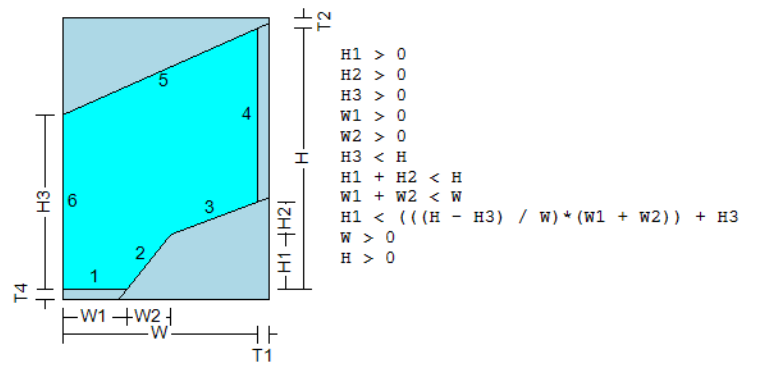
SHAPE 336



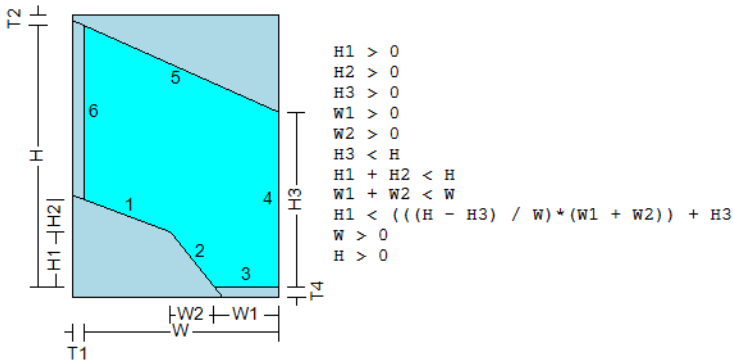
SHAPE 337



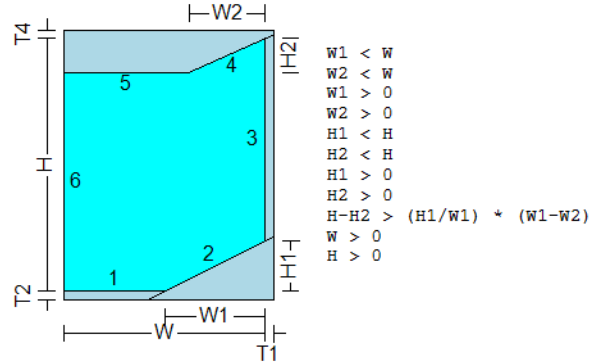
SHAPE 338



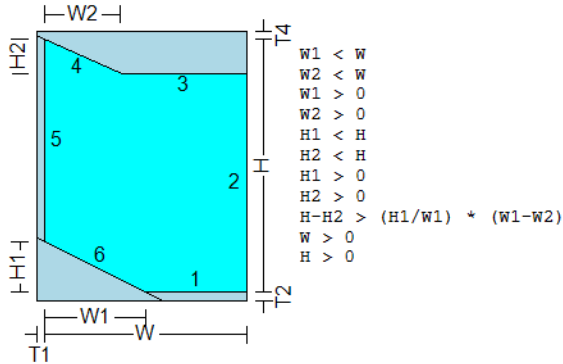
SHAPE 339



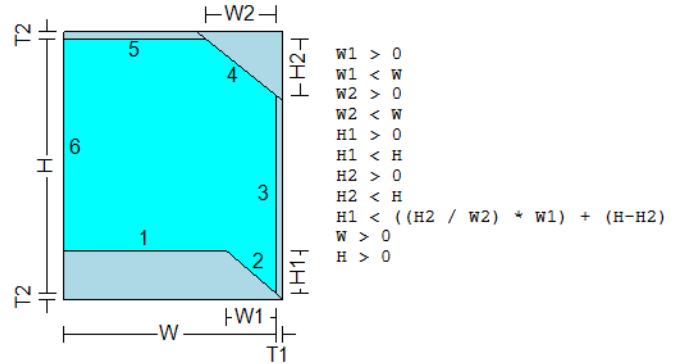
SHAPE 340



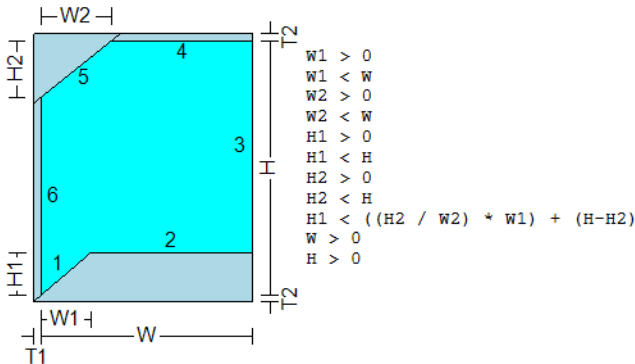
SHAPE 341



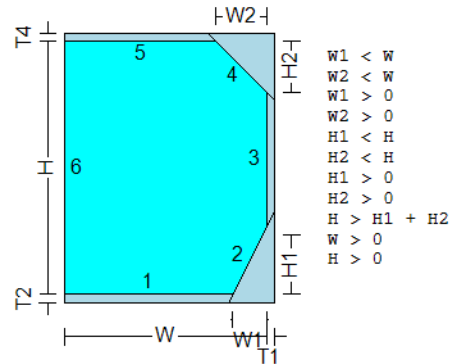
SHAPE 342



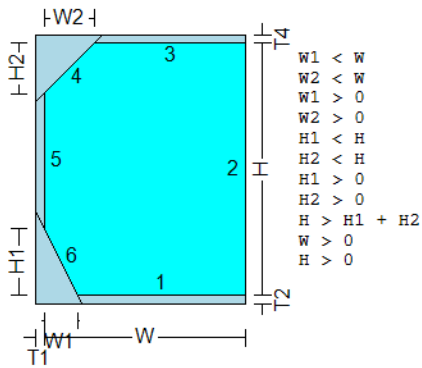
SHAPE 343



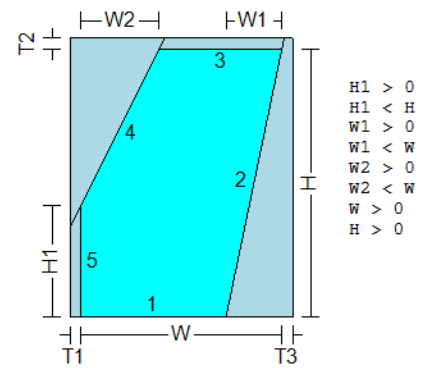
SHAPE 344



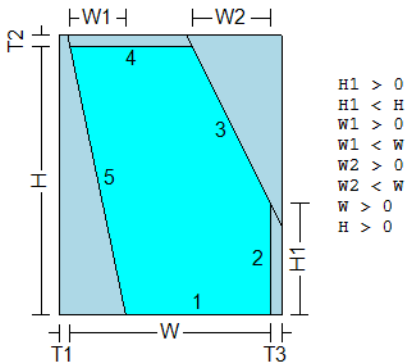
SHAPE 345



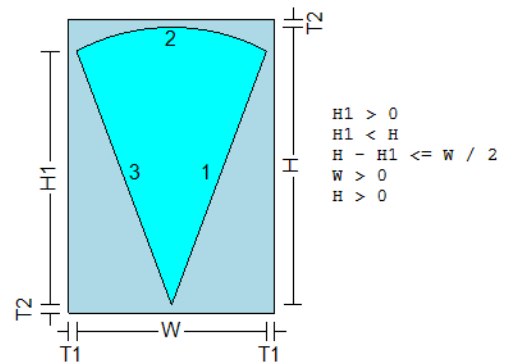
SHAPE 346



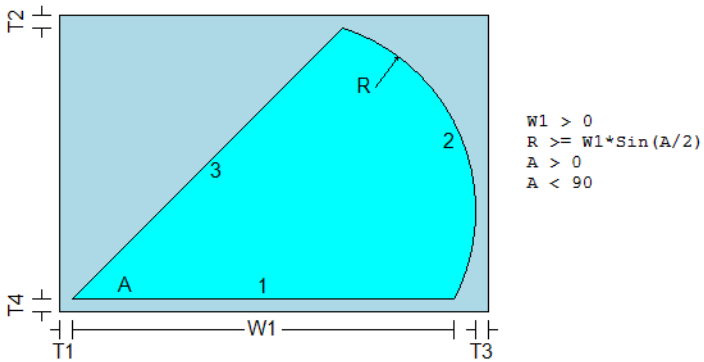
SHAPE 347



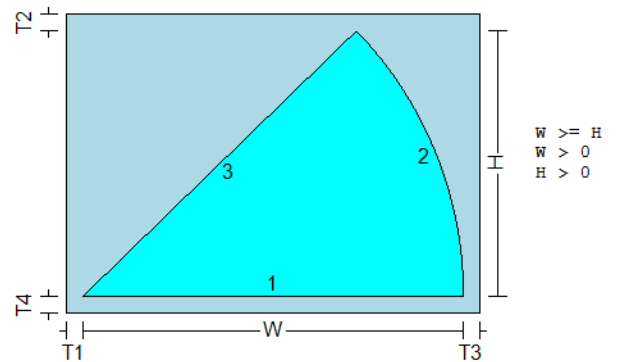
SHAPE 401



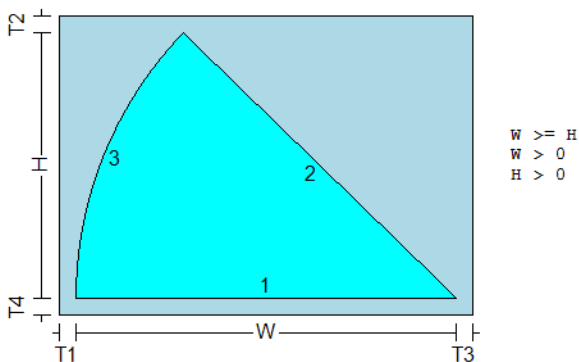
SHAPE 402



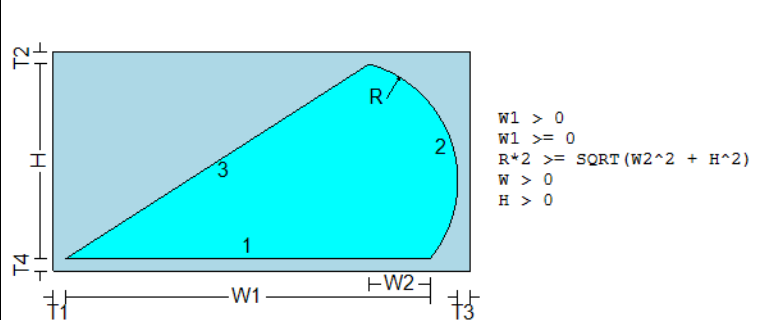
SHAPE 403



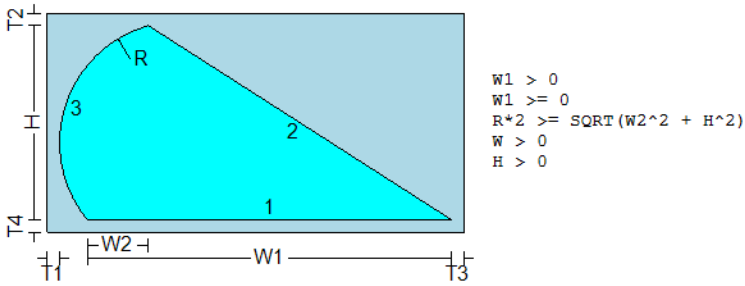
SHAPE 404



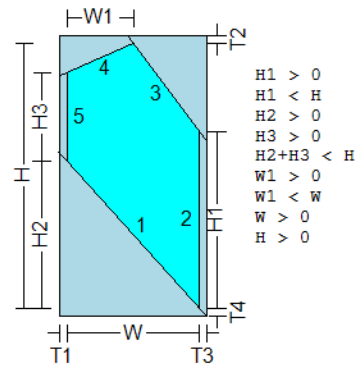
SHAPE 405



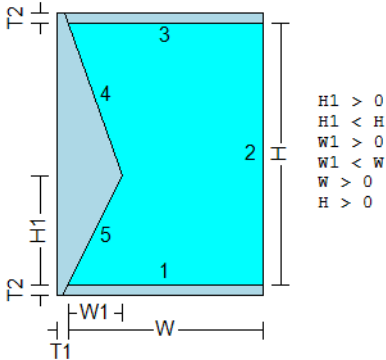
SHAPE 406



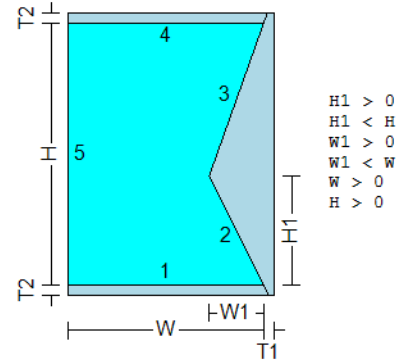
SHAPE 500



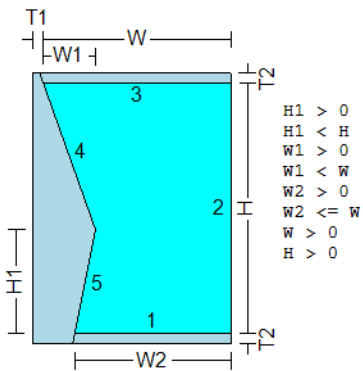
SHAPE 501



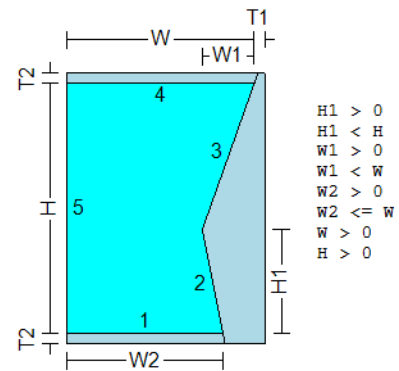
SHAPE 502



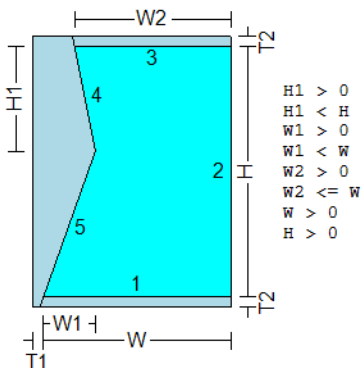
SHAPE 503



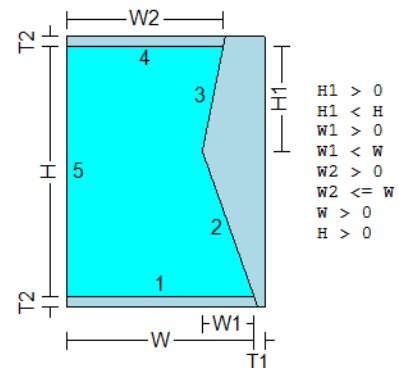
SHAPE 504



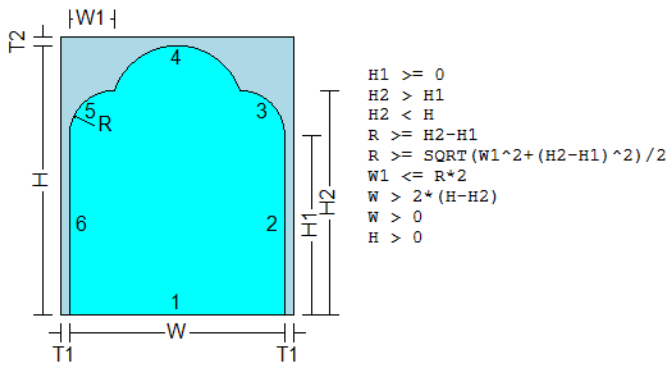
SHAPE 505



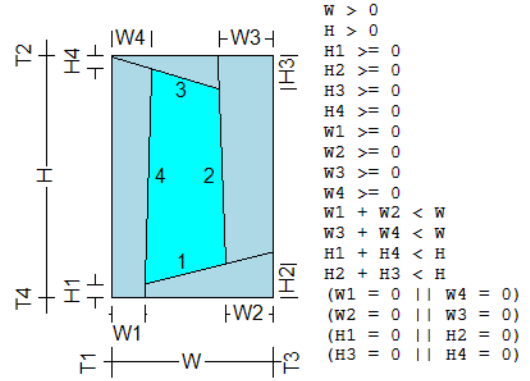
SHAPE 506



SHAPE 811



SHAPE 901



SHAPE 902

